

# TM3702A

## IMPERIAL WALL MOUNTED DOUBLE GLASS HOLDER - CHROME

---

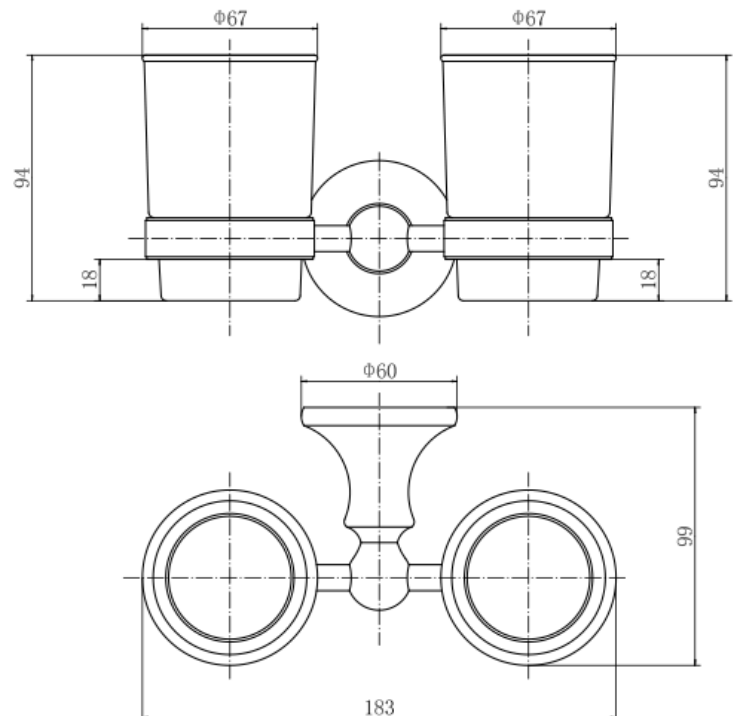
### PRODUCT SPECIFICATION

Product Code:	TM3702A
Finish:	Chrome
Description:	Double Glass Holder
Construction:	Brass
Mounting:	Wall Mounting
Gross Weight (kg):	0.645



### ADDITIONAL INFORMATION

- Chrome finish
- 12 month guarantee\*



\* Our bathroom accessories are covered by a 12 month year guarantee. For full terms & conditions please visit our website [www.cavalierbathrooms.co.uk](http://www.cavalierbathrooms.co.uk)

Products are supplied with aftercare guidance and fixings. All measurements in mm and are nominal