

# 9123 BATH FILLER



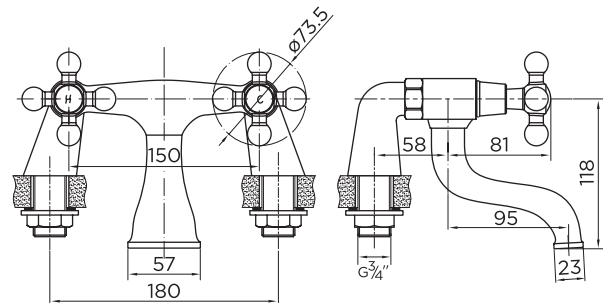
## PRODUCT SPECIFICATION

Product Code: 9123  
 Finish: Chrome  
 Product Type: Bath Filler  
 Inlet Connections: 3/4 BSP  
 Construction: Body: Brass  
 Handles: Zinc  
 Gross Weight (kg): 1.50



## ADDITIONAL INFORMATION

- Chromed finish
- Lifetime guarantee



## WORKING PRESSURES (bar)

Min Pressure	Max Pressure	Best Performance
0.2	6	3

## FLOW RATES (litres per minute)

0.5 Bar	1 Bar	3 Bar
3.1	6.3	12.1

