

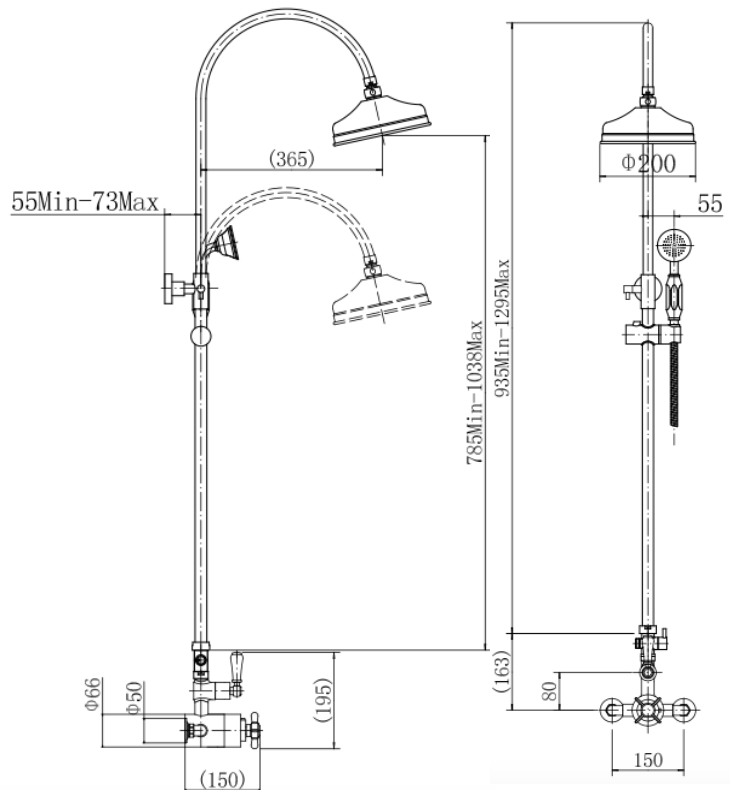
# Arlington 9303

## TRADITIONAL THERMO SHOWER SET

### - CHROME

#### PRODUCT SPECIFICATION

Product Code:	9303
Finish:	Chrome
Product Type:	Shower set with exposed shower valve
Cartridge Type:	Thermostatic cartridge, flow rate cartridge and diverter cartridge
Inlet Connections:	G 3/4"
Outlet Connections:	G 1/2"
Fitting Dimensions:	150mm inlet centers
Construction:	Body: Brass, handles: Zinc Riser: SS, Handset: ABS, Top head: Brass, Hose: SS
Gross Weight (kg):	3.405



#### ADDITIONAL INFORMATION

- Dual Control: Flow and temperature are controlled separately giving accurate control of both
  - Thermostatic cartridge maintains showering temperature to +/- 2c giving a stable outlet temperature
  - Automatic shut-off in the event of cold water supply failure, to prevent scalding
  - Temperature factory set to a 38°C
- 10 Year Guarantee



#### WORKING PRESSURES (bar)

Min Pressure	Max Pressure	Best Performance
0.5 bar	5 bar	3 bar

#### FLOW RATES (litres per minute)

0.5 Bar	1 Bar	3 Bar
8.6	12	21.7

\* For full details of our guarantee please refer to our website. Our products are backed by a 10 year guarantee, this is only valid to customers who complete and submit the online Niagara® Guarantee Registration Form within 30 days of installation. Please note that products with finishes other than Chrome are guaranteed for 2 years only. To register and activate your guarantee visit: [www.cavalierbathrooms.co.uk](http://www.cavalierbathrooms.co.uk)

Products are supplied with full installation instructions and fixings. All measurements in mm and are nominal.